

TRIDENT-3000

3000mm dia. Ocean Buoy



Also available with complete stainless steel assembly

Sealite have a range of mooring chains & accessories - ask your representative today how we can supply your complete mooring solution

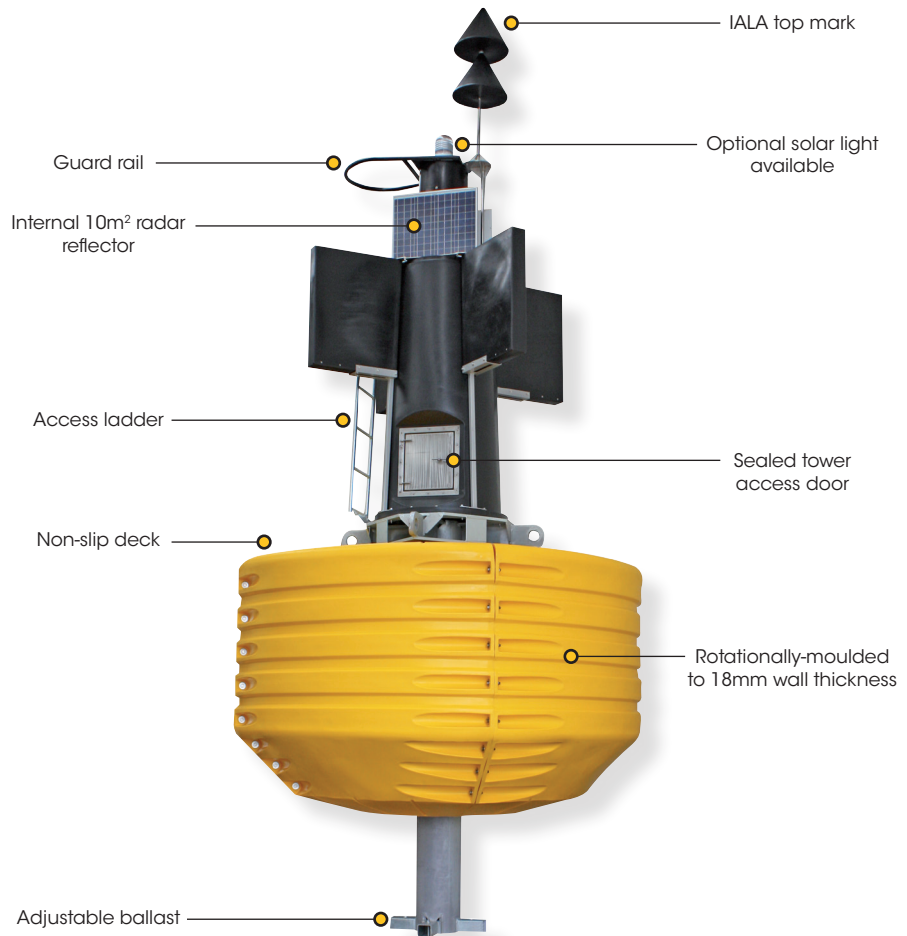
The Sealite Advantage

- High visibility red, green, white or yellow as per IALA recommendations
- 3mtr diameter
- 5mtr focal height
- Robust construction of 4 quadrant hull sections
- Lightweight
- Large battery & payload section
- Excellent buoyancy & stability
- Easy to deploy & service
- No painting, ever
- Cost effective & environmentally friendly
- Convenient forklift access points to safely manoeuvre the buoy assembly



Environmentally Friendly & Recyclable

Sealite buoy products are made from recyclable materials. As a service to customers, individual components and products at the end of their service life may be returned to Sealite for recycling.



The TRIDENT-3000 is one of the largest, rotatorially-moulded buoys available, with a float diameter of 3 meters and lantern focal height of up to 5 meters.

The float section of the TRIDENT-3000 is built from four (4) rotatorially-moulded quadrants, which fasten together to form an incredibly robust 3 meter wide float section standing 1.8 meters tall. Each quadrant is moulded from UV-stabilized, virgin polyethylene, and has an 18mm wall thickness. In addition, each section is filled with closed-cell polyurethane, which prevents the ingress of moisture in the unlikely event of damage.

A galvanised steel or 316-grade stainless steel mooring pole runs through the centre of the assembly, to which the tower section is fastened. Four large lifting eyes aid in buoy mooring and periodic servicing.

The enhanced poly-tower design provides a huge visual area for navaid recognition, and consists of two sealed, rotatorially-moulded tower sections. The lower section incorporates a battery access door and houses batteries, controllers and any ancillary electronic payload. The top section incorporates an internal radar reflector and solar mount facility.

Rotatorially-moulded panelling is fitted to the outside of the tower section to create a large coloured visual area for marking. The replaceable panelling also simplifies cardinal marking and gives operators flexibility in stocking spare components. No part of the structure requires painting at any stage of the product's life span.

An integrated ladder with harness attachment points runs vertically up the tower to the top of the platform.

A large counterweight offers exceptional stability in a variety of exposed regions.

The TRIDENT-3000 can be supplied in all IALA colours.

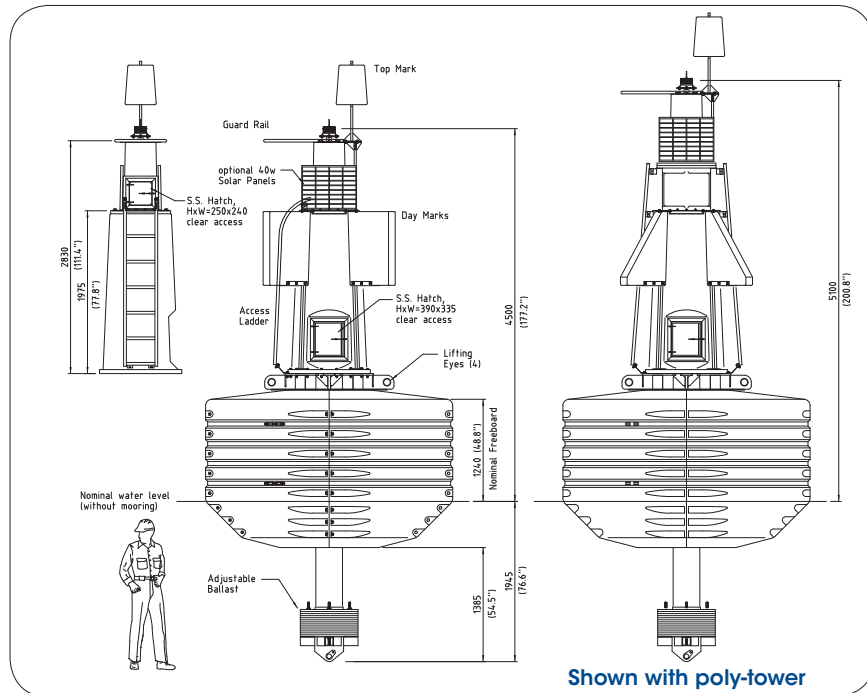


TRIDENT-3000

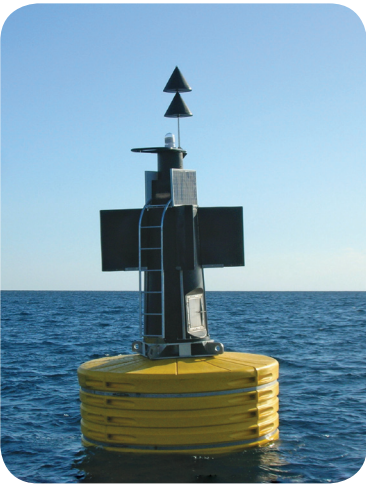
3000mm dia. Ocean Buoy



TRIDENT-3000 installation, Middle East



Shown with poly-tower



TRIDENT-3000 Damman Port, Saudi Arabia

SPECIFICATIONS * *

TRIDENT-3000

TRIDENT-3000

Polyethylene Tower

Stainless Steel Tower

General Characteristics

Available Colours

Red, Green, White, Yellow as per IALA Recommendations

Red, Green, White, Yellow as per IALA Recommendations

Focal Plane Height (mm/inches) 5100 / 200³/₄
 Total Float Volume (ltrs/US gallon) 11000 / 2906
 Nominal Freeboard (mm/inches) 1240 / 48³/₄
 Nominal Draft (mm/inches) 1945 / 76¹/₂
 Reserve Buoyancy (kgs/lbs) 3170 / 6990
 Maximum Mooring Load (kgs/lbs) 2750 / 6063
 Draft, Maximum (mm/inches) 2400 / 94¹/₂
 Freeboard, Minimum (mm/inches) 800 / 31¹/₂
 Safe Working Load, 1pt (kgs/lbs) 6000 / 13228 (one lifting point)
 Safe Working Load, 2pt (kgs/lbs) 8630 / 19025 (two lifting points)
 Submergence (kg/cm, lb/inches) 72 / 403
 Visual Area (m²/ft²) 7.1 / 76.4 (with daymark)
 6.4 / 68.9 (without daymark)

5100 / 200³/₄
 11000 / 2906
 1240 / 48³/₄
 1945 / 76¹/₂
 3170 / 6990
 2750 / 6063
 2400 / 94¹/₂
 800 / 31¹/₂
 6000 / 13228 (one lifting point)
 8630 / 19025 (two lifting points)
 72 / 403
 7.1 / 76.4 (with daymark)
 6.4 / 68.9 (without daymark)
 2.1 / 22.6

5700 / 224¹/₂
 11000 / 2906
 1270 / 50
 1915 / 75³/₈
 3365 / 7420
 2750 / 6063
 2400 / 94¹/₂
 800 / 31¹/₂
 6000 / 13228 (one lifting point)
 8630 / 19025 (two lifting points)
 72 / 403
 5.7 / 61.3 (without daymark)
 2.1 / 22.6

Water Area (m²/ft²)

Physical Characteristics

Material

Rotationally-moulded UV-stabilized virgin polyethylene float section, tower assembly, top marks and panelling.
 316-grade stainless steel fixtures.

Rotationally-moulded UV-stabilized virgin polyethylene float section, top marks and panelling.
 316-grade stainless steel tower assembly.

Wall Thickness (mm/inches)

18 / ³/₄

18 / ³/₄

Ballast (kg/lbs)

765 / 1687 external steel

680 / 1500 external steel

Filling

Closed-cell polyurethane foam (float section)

Closed-cell polyurethane foam (float section)

Height (mm/inches)

7900 / 311

8500 / 334¹/₂

Width (mm/inches)

3000 / 118¹/₈

3000 / 118¹/₈

Mass (kg/lbs)

2580 / 5688 (depending on payload)

2385 / 5258 (depending on payload)

Radar Reflector

Echomax

Echomax

Product Life Expectancy

>20 years

>20 years

Certifications

Quality Assurance

ISO9001:2008

ISO9001:2008

Intellectual Property

Trademarks

SEALITE® is a registered trademark of Sealite Pty Ltd
 5 years

SEALITE® is a registered trademark of Sealite Pty Ltd
 5 years

Warranty *

Lantern Options

Sealite SL-C310, SL-C410, SL-C420, APOLLO-155 or SL-125 series

Sealite SL-C310, SL-C410, SL-C420, APOLLO-155 or SL-125 series

Options Available

- Mould-in graphics
- Day marks
- Rotationally-moulded side-panelling
- Monitoring Systems (AIS, GSM)
- Unfilled Float Section

- Mould-in graphics
- Day marks
- Rotationally-moulded side-panelling
- Monitoring Systems (AIS, GSM)
- Unfilled Float Section



* Specifications subject to change or variation without notice
 * Subject to standard terms and conditions