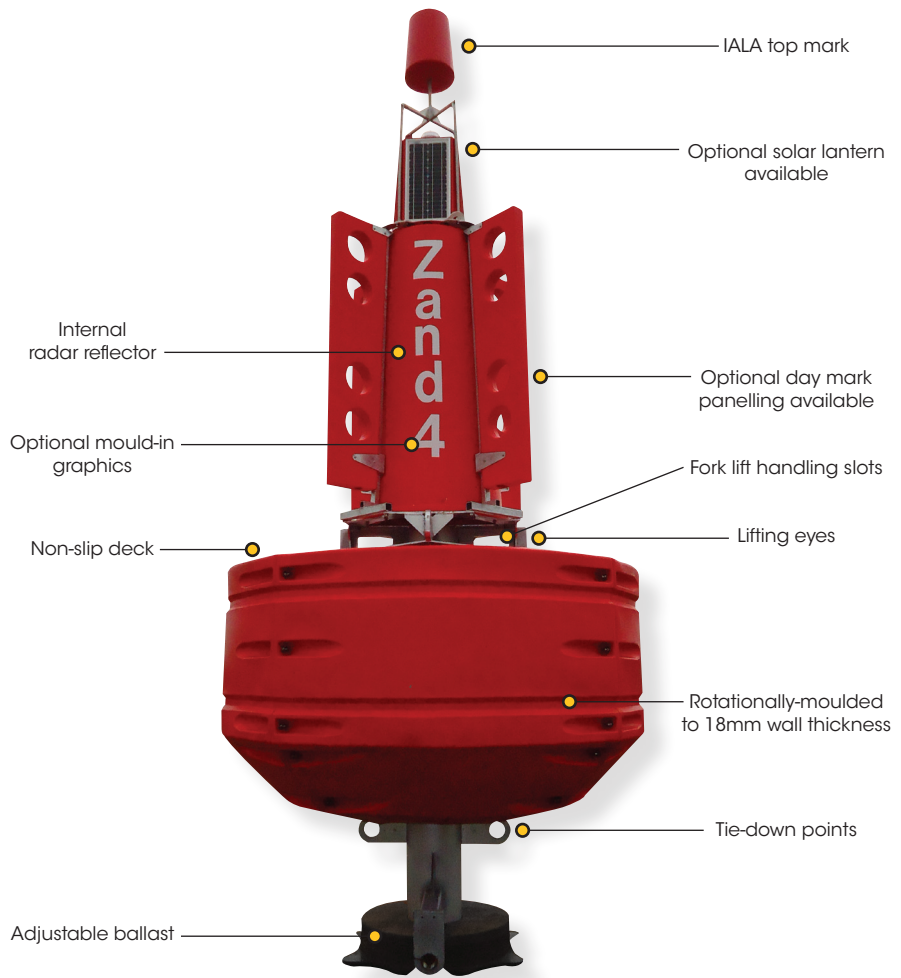


2600mm dia. Ocean Buoy

TRIDENT-2600



The Sealite Advantage

- High visibility red, green, white or yellow as per IALA recommendations
- Robust construction of 4 quadrant hull sections
- Lightweight
- Excellent buoyancy & stability
- Easy to deploy & service
- No painting, ever
- Cost effective & environmentally friendly
- Convenient forklift access points to safely manoeuvre the buoy assembly
- Stands flat on service vessel deck

The TRIDENT-2600 is one of the largest rotationally-moulded buoys available, with a float diameter of 2.6 meters and lantern focal height of up to 5 meters.

The float section of the TRIDENT-2600 is built from four (4) rotationally-moulded quadrants, which fasten together to form an incredibly robust 2.6 meter wide float section standing 1.5 meters tall. Each quadrant is moulded from UV-stabilised, virgin polyethylene, and has an 18mm wall thickness. In addition, each section may be filled with closed-cell polyurethane, which prevents the ingress of moisture in the unlikely event of damage.

The enhanced poly-tower design provides a huge visual area for navaid recognition, and consists of a sealed, rotationally-moulded tower section. The tower incorporates an internal radar reflector and solar mount facility.

Rotationally moulded daymarks are fitted to the outside of the tower to create a large daymark shape for Lateral Marks. Replaceable daymarks give the operator flexibility in stocking spares.

A steel mooring post runs through the centre of the assembly, to which the tower section is fastened. An integrated ladder with harness attachment points runs vertically up the tower to the top of the platform and two large lifting eyes aid in buoy mooring and periodic servicing.

The unique design of the mooring post and flat base means the buoy can be stored upright in service yards and transported via truck and service vessels for increased handling safety.

No part of the structure requires painting at any stage of the product's life span.

A large counterweight offers exceptional stability in a variety of exposed regions.

The TRIDENT-2600 can be supplied in all IALA colours.



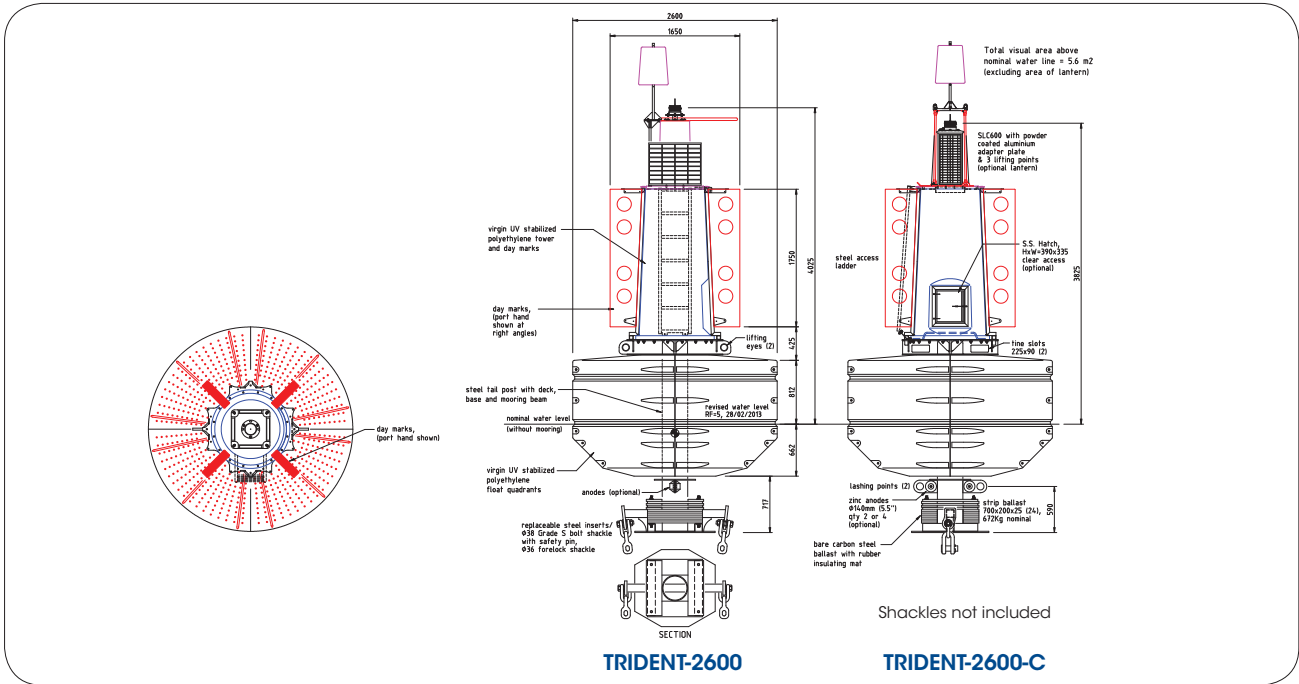
**Environmentally
Friendly &
Recyclable**

Sealite buoy products are made from recyclable materials. As a service to customers, individual components and products at the end of their service life may be returned to Sealite for recycling.



2600mm dia. Ocean Buoy

TRIDENT-2600



* Specifications subject to change or variation without notice
* Subject to standard terms and conditions

Sealite have a range of mooring chains & accessories - ask your representative today how we can supply your complete mooring solution

SPECIFICATIONS * * TRIDENT-2600 TRIDENT-2600-C

	Standard Model	Compact Model
General Characteristics		
Available Colours	Red, Green, White, Yellow as per IALA Recommendations	Red, Green, White, Yellow as per IALA Recommendations
Focal Plane Height (mm/inches)	4025 / 158½	3825 / 150½
Total Float Volume (lts/US gallon)	6710 / 1772	6710 / 1772
Nominal Freeboard (mm/inches)	865 / 34	865 / 34
Nominal Draft (mm/inches)	1325 / 52½	1325 / 52½
Reserve Buoyancy (kgs/lbs)	2000 / 4409	2000 / 4409
Maximum Mooring Load (kgs/lbs)	2000 / 4409	2000 / 4409
Draft, Maximum (mm/inches)	1690 / 66½	1690 / 66½
Freeboard, Minimum (mm/inches)	500 / 19¾	500 / 19¾
Safe Working Load, 1pt (kgs/lbs)	5500 / 12125 (one lifting point)	5500 / 12125 (one lifting point)
Safe Working Load, 2pt (kgs/lbs)	11000 / 24250 (two lifting points)	11000 / 24250 (two lifting points)
Submergence (kg/cm, lb/inches)	54.7 / 306	54.7 / 306
Visual Area (m²/ft²)	4.7 / 50.6 (without daymark) 6.0 / 64.5 (with daymark)	4.3 / 46.3 (without daymark) 5.6 / 60.2 (with daymark)
Water Area (m²/ft²)	1.7 / 18.3	1.7 / 18.3
Physical Characteristics		
Material	Rotationally-moulded UV-stabilised virgin polyethylene float section, tower assembly, top marks and panelling. 316-grade stainless steel fixtures.	Rotationally-moulded UV-stabilised virgin polyethylene float section, tower assembly, top marks and panelling. 316-grade stainless steel fixtures.
Wall Thickness (mm/inches)	18 / ¾	18 / ¾
Ballast (kg/lbs)	672 / 1482 external steel	672 / 1482 external steel
Height (mm/inches)	6240 / 245½	6240 / 245½
Width (mm/inches)	2600 / 102¾	2600 / 102¾
Mass (kg/lbs)	2340 / 5159 (depending on payload)	2340 / 5159 (depending on payload)
Radar Reflector	Echomax EM230	Echomax EM230
Product Life Expectancy	>20 years	>20 years
Certifications		
IALA	Surface colours compliant to IALA E-108 ISO9001:2008	Surface colours compliant to IALA E-108 ISO9001:2008
Quality Assurance		
Intellectual Property		
Trademarks	SEALITE® is a registered trademark of Sealite Pty Ltd 5 years	SEALITE® is a registered trademark of Sealite Pty Ltd 5 years
Warranty *		
Lantern Options	Sealite SL-C310, SL-C410, SL-C415, SL-C420, SL-C500, SL-C600, SL-125 Series or SL-155 Series	Sealite SL-C310, SL-C410, SL-C415, SL-C420, SL-C500, SL-C600, SL-125 Series or SL-155 Series
Options Available	<ul style="list-style-type: none"> Mould-in graphics Day marks Monitoring Systems (AIS, GSM) Closed-cell polyurethane foam filled float section Name Plate Aluminium Tower Assembly Galvanised or stainless steel mooring post Tail tube mooring post 	<ul style="list-style-type: none"> Mould-in graphics Day marks Monitoring Systems (AIS, GSM) Closed-cell polyurethane foam filled float section Name Plate Aluminium Tower Assembly Galvanised or stainless steel mooring post Tail tube mooring post