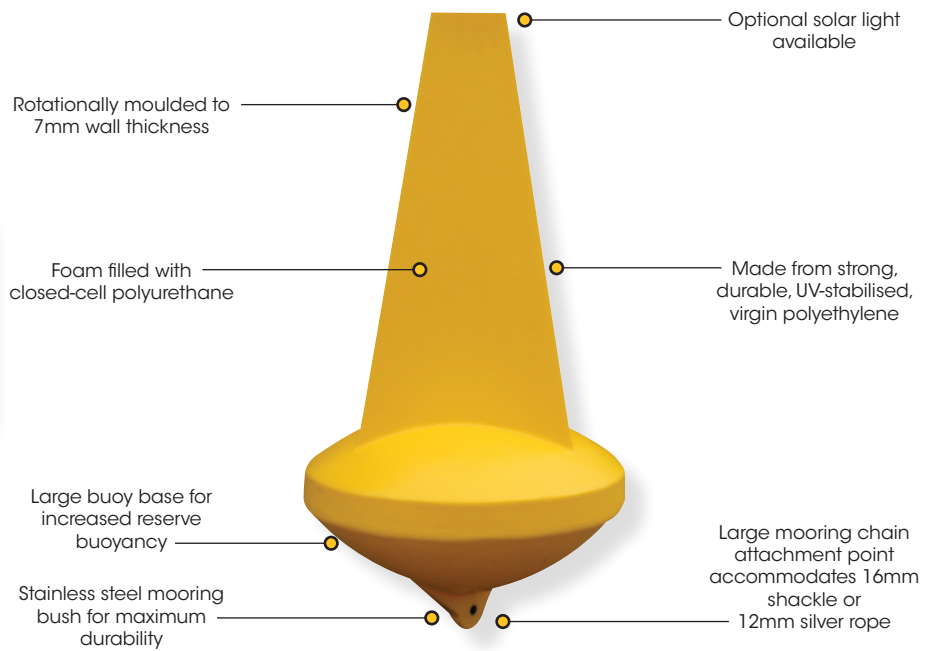


600mm dia. Marker Buoy

SL-B600

V1_2015

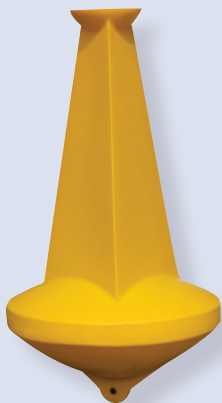
Sealite have a range of mooring chains & accessories - ask your representative today how we can supply your complete mooring solution



The Sealite Advantage

- High visibility red, green, white or yellow as per IALA recommendations
- Range of mooring equipment & chain available
- 16mm shackle or 12mm silver rope attachment point
- Excellent buoyancy & stability
- Mould-in graphics to suit customer requirements

Optional Mould-in Graphics Available



SL-B601 has an integrated light mount top section to securely attach Sealite's SL-15 & SL-60 marine lanterns

The SL-B600 is a short-range buoy ready for immediate installation. Typical applications include day and night channel, speed zone and restricted area marking.

The SL-B600 is extremely long lasting and is moulded from strong, durable, UV-stabilised polyethylene. The large buoy base enables an even greater mooring load, with reserve buoyancy of 26kg (57lbs).

The stainless steel mooring bush is moulded directly into the buoy during manufacture for superior durability and strength. A large mooring chain attachment point accommodates a 16mm shackle or 12mm silver rope.

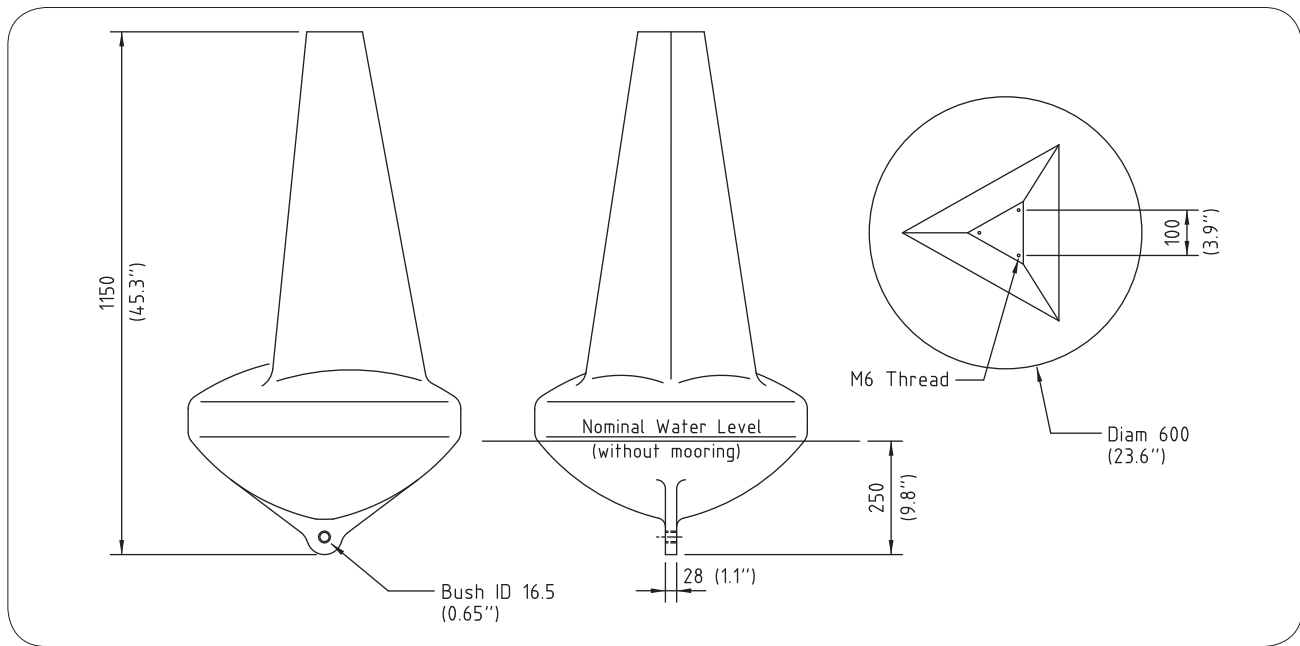
The complete assembly is only 18.5kg (41lbs) and is available in standard high visibility Yellow, Green, Red and White.

Custom mould-in graphics are also available on request.



600mm dia. Marker Buoy

SL-B600



Range of mould-in graphics such as "5 Knots" available



**Environmentally
Friendly &
Recyclable**

Sealite buoy products are made from recyclable materials. As a service to customers, individual components and products at the end of their service life may be returned to Sealite for recycling.

SPECIFICATIONS* * SL-B600

General Characteristics

Available Colours
Focal Plane Height (mm/inches)
Total Float Volume (ltrs/US gallon)
Nominal Freeboard (mm/inches)
Nominal Draft (mm/inches)
Reserve Buoyancy (kgs/lbs)
Maximum Mooring Load (kgs/lbs)
Draft, Maximum (mm/inches)
Freeboard, Minimum (mm/inches)
Submergence (kg/cm, lb/inches)

Red, Green, White, Yellow as per IALA Recommendations
960 / 37³/₄
90 / 24
160 / 6¹/₃
250 / 9⁷/₈
26 / 57
26 / 57
335 / 13¹/₈
70 / 2³/₄
2.8 / 15.8

Physical Characteristics

Material
Wall Thickness (mm/inches)
Ballast (kg/lbs)
Filling
Height (mm/inches)
Width (mm/inches)
Mass (kg/lbs)
Product Life Expectancy

Rotationally-moulded UV-stabilised virgin polyethylene
7 / 1¹/₄
6 / 13 internal concrete
Closed-cell polyurethane foam
1150 / 45¹/₃
600 / 23⁵/₈
18.5 / 41
Up to 12 years

Certifications

IALA
Quality Assurance

Surface colours compliant to IALA E-108
ISO9001:2008

Intellectual Property

Trademarks

SEALITE® is a registered trademark of Sealite Pty Ltd
1 year

Warranty *

Lantern Options Options Available

Sealite SL-15, SL-60 or SL-70 lantern
• Mould-in graphics
• Integrated light mount top section (SL-B601)



* Specifications subject to change or variation without notice
* Subject to standard terms and conditions