

## LO 200M

### Medium/High Intensity LED Range Light

The LO 200M signal is designed for applications requiring medium and long range directional light, such as range lights and port entry signals.

- High intensity precision range light
- Equipped with a high intensity power LED and especially designed optics
- Robust aluminium IP 66 housing
- Visual range up to 14NM (Tc = 0,74)
- Standard IALA colours Red, Green, White and Yellow
- Extremely low power consumption, suitable for solar and battery operation
- Vertical divergence 8° @ 50% of top intensity
- Integrated flasher with 16 A solar panel charger
- Adjustable intensity and range
- Programmable with Sabik standard IR programming devices
- Optionally integrated GPS synchronization
- Optionally integrated GSM remote monitoring
- Optionally available with Bluetooth® programming





**Aluminium housing**  
The lantern enclosure is made from marine grade aluminium.



**Sun shield**  
Protects lens from dust and bird droppings. Improves contrast in daytime use.



**Installation**  
The lantern can easily be installed on any flat surface with four M10 size bolts.



**PTFE breathing**  
Vent for pressure release in the back of the lantern.



**Optics**  
Optics suitable for high intensity LED.



**Sabik Easy Programmer**  
User friendly and compact wireless two-way programmer.



**Precision alignment**  
A gun sight can be utilized for precision alignment to the center line of the range.

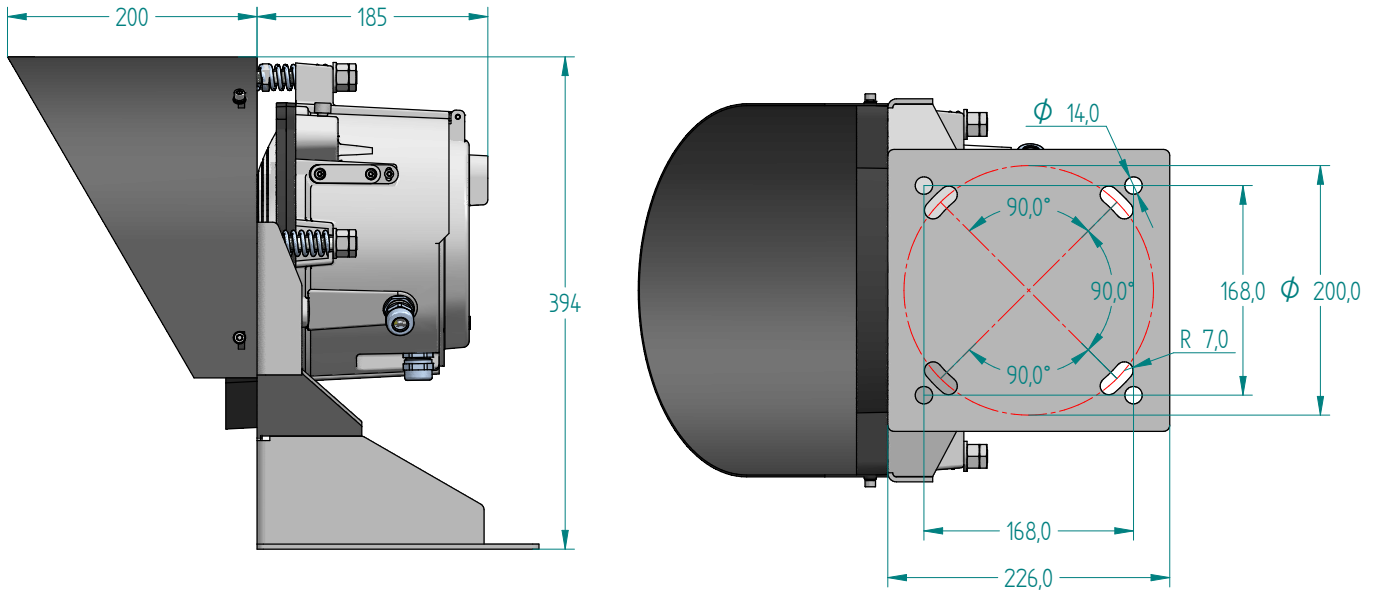


**Level indicator**  
The integrated level indicator makes horizontal levelling easy.



**Light beam adjustment**  
The direction of the light beam can be adjusted with 3 bolts. The 3 axis adjustment system enables both vertical and horizontal alignment.

## Technical Specification LO 200M



### Optical performance

#### Maximum fixed intensity

At full power	7000 cd	7000cd	7000cd	13000cd
---------------	---------	--------	--------	---------

### Main Technical Specification

Lens visual/Mechanical diameter	203 mm (8")
Lens material	UV stabilized Polycarbonate
Light source	Light Emitting Diodes (LEDs)
Lens horizontal divergence	8° @ 50 % (± 1°) of peak intensity
Unit lifetime	Up to 10 years
Weight	8 kg
Temperature range	-40°...+60°C
Supply Voltage	9 – 32 VDC
Power consumption	4W at full intensity
Degree of protection	IP 66

## Order Overview LO 200M

### Option matrix

OPT 1: Optical Feedback System	Integrated LED performance measurement
OPT 4: GPS sync	Integrated GPS sync including GPS antenna
OPT 7: External GPS	External GPS antenna for OPT 4 and OPT 9
OPT 9: LightGuard GSM + GPS	Integrated GSM based monitoring including GSM/GPS antennas
OPT 10: LightGuard GSM	Integrated GSM based monitoring including GSM antenna
OPT 11: Control card	Control card for secondary battery
OPT 12: Aux card with I/O	Aux card including I/O ports
OPT 13: Aux card with RS485 and I/O	Aux card including RS 485 and I/O port
Shock & Tilt Sensor	Integrated 3-axis G sensor for tilt and shock sensing

### Product codes

Product	Colour
LO 200MW	white
LO 200MR	red
LO 200MG	green
LO 200MY	yellow

Product code example: LO 200MROPT4

- LO 200MR is Sabik code for LO 200M in red
- with a selection of option 4