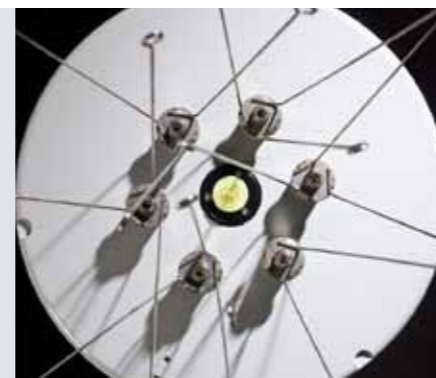
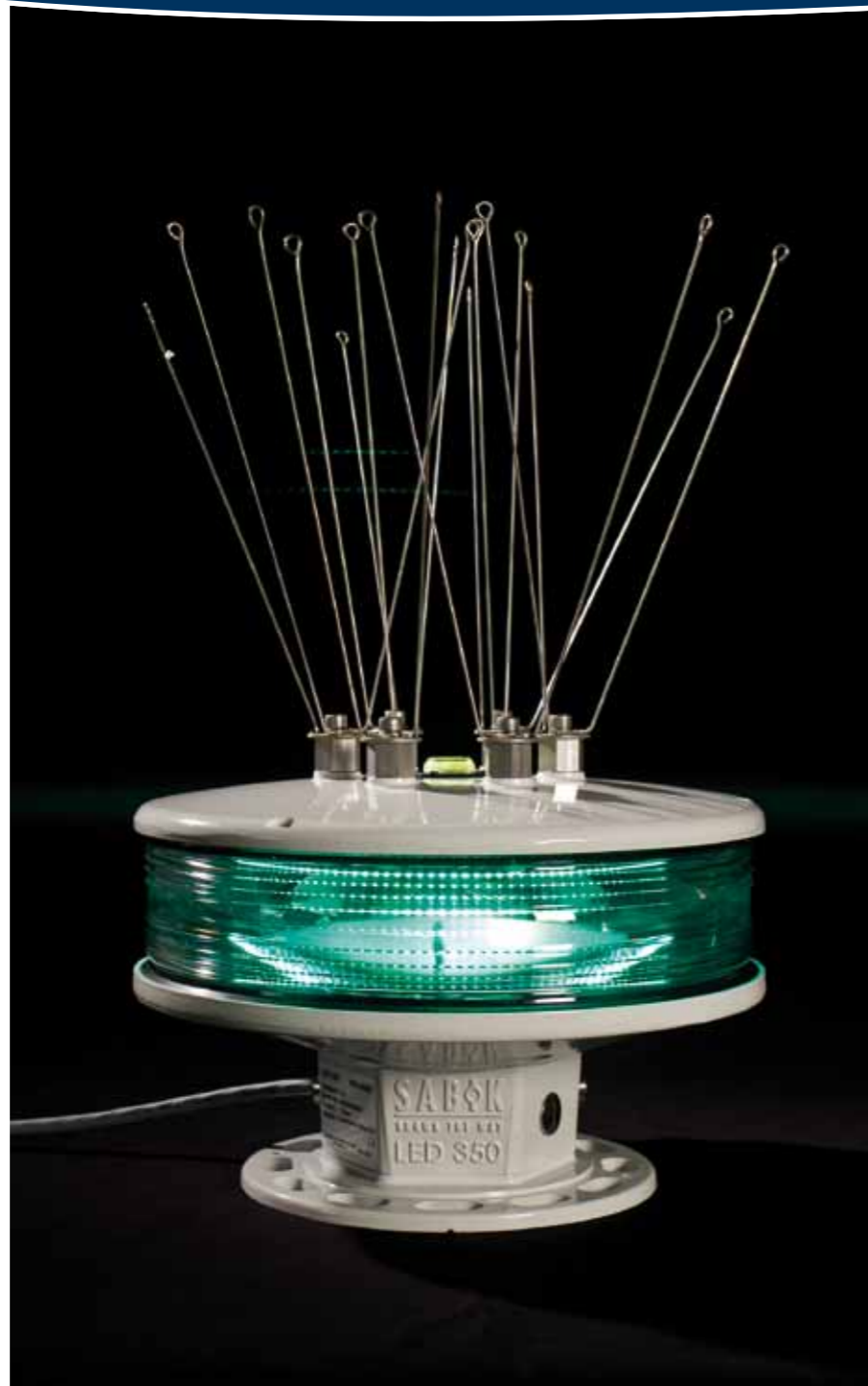


## LED 350

### High intensity LED light for fixed installations

LED 350 is a high performance omni-directional LED precision beacon with a range of 15 nautical miles. 10 nm range with white achieved with less than 10 watts.

- High light efficiency; 175 candela/watt
- Supplied with 1-7 tiers, max 14 700 cd luminous intensity white
- Standard IALA colours Red, Green, White, Yellow
- Rugged aluminium housing for installation in marine environment
- Extremely low power consumption, suitable for solar and battery operation
- Integrated flasher with a day light switch
- Field adjustable intensity and range
- Programming with wireless Sabik PDA Programmer or USB/IR interface
- Integrated event log for 365 days
- Optionally integrated GPS synchronization
- Optionally integrated GSM Remote monitoring



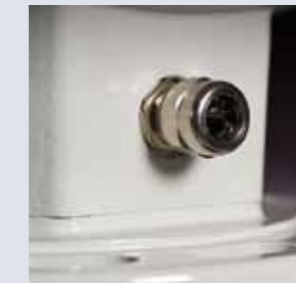
#### Bird spikes

Stainless steel bird deterrents as standard. Easy to replace. Offers great protection against large birds like cormorants. Spike design to prevent injury to service technicians.



#### Level indicator

The lantern can easily be levelled in field using the integrated bubble level indicator.



#### IR port and photocell

The combined infrared communication port and photocell is located on the base of the lantern.



#### Additional cable entry

Equipped as standard with two cable entries. If the secondary entry is needed e.g. for a solar module standard M20 cable gland can be fitted.



#### PDA Programmer

Wireless two-way communication using a Windows based PDA with infra red port. Flash code, range and photocell switch level etc. can be set. With the Programmer also the event log can be retrieved.



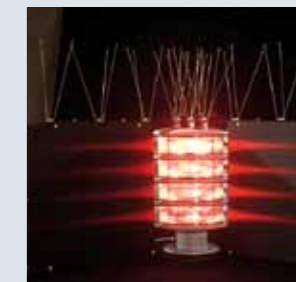
#### Installation

The bottom plate of the LED 350 supports installation on structure using 3 x M12 bolts or 4 x M12 bolts on a 200 mm radius.



#### Grounding plug

The base plate has a grounding plug as standard to enable good protection for electromagnetic interference.



#### External baffles

The lantern can be optionally supplied with multiple colours using external radial baffles between the colours. This enables warning sectors to be integrated in same lantern.



#### Simplex Combinations

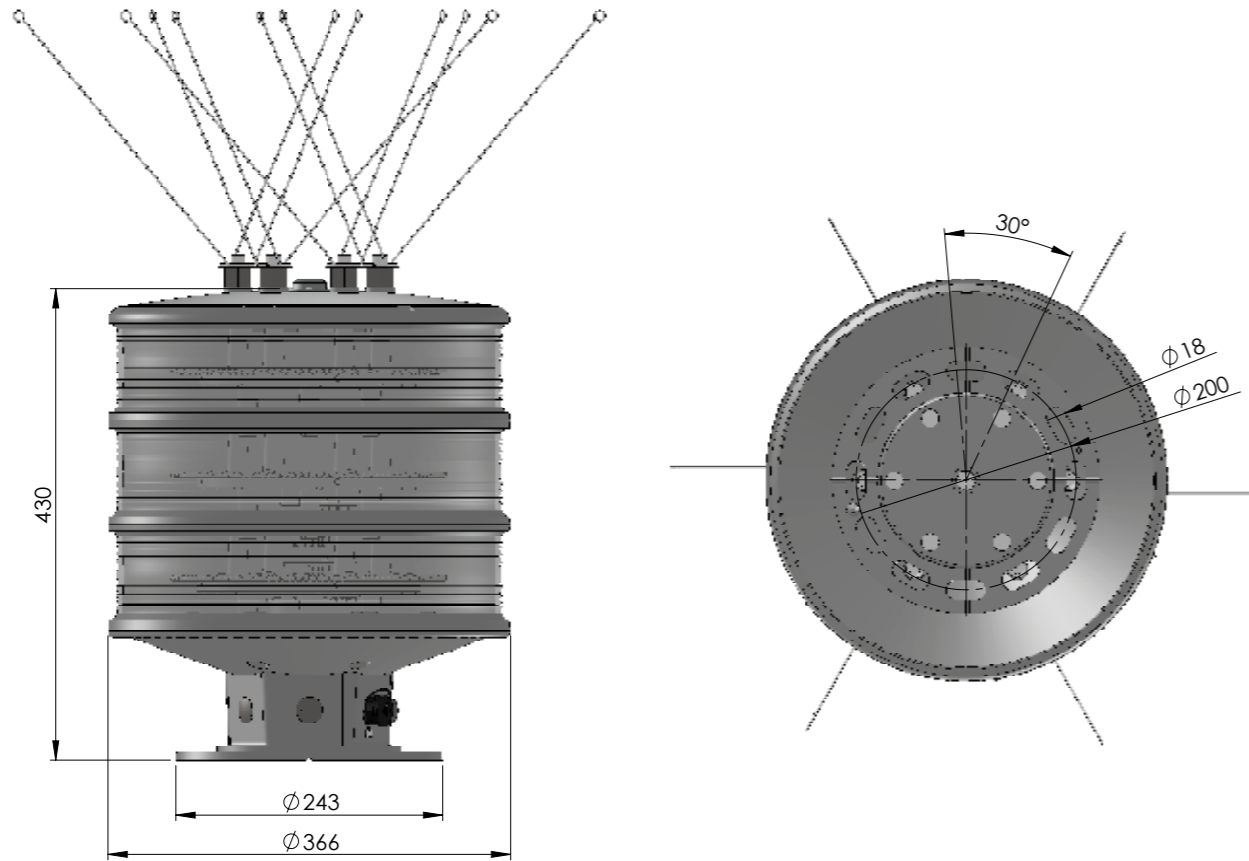
The LED 350 lantern can also be combined with the LED 155 buoy lantern in order to increase short distance visibility.



#### Triplex

Multiple tiers up to 7 tiers for high intensity.

## Technical Specification LED 350



### Optical performance

Maximum fixed luminous intensity				
1-tier, 12 W	1.100 cd	1.200 cd	2.100 cd	800 cd
2-tiers, 24 W	2.200 cd	2.400 cd	4.200 cd	1.600 cd
3-tiers, 36 W	3.300 cd	3.600 cd	6.300 cd	2.400 cd
4-tiers, 48 W	4.400 cd	4.800 cd	8.400 cd	3.200 cd
5-tiers, 60 W	5.500 cd	6.000 cd	10.500 cd	4.000 cd
6-tiers, 72 W	6.600 cd	7.200 cd	12.600 cd	4.800 cd
7 tiers, 84 W	7.700 cd	8.400 cd	14.700 cd	5.600 cd

### Main Technical Specification

<b>Lens visual/Mechanical diameter</b>	350 mm
<b>Lens material</b>	UV stabilized Polycarbonate
<b>Light source</b>	Light Emitting Diodes (LEDs)
<b>Vertical divergence</b>	1.5° @ 50% (±0.3°) and 3° @ 10% (±0.5°) of peak intensity
<b>Unit lifetime</b>	Up to 10 years
<b>Weight</b>	8 kg for single tier unit, add 2 kg for each tier
<b>Temperature range</b>	-40°...+60°C
<b>Supply Voltage</b>	9 – 30 VDC
<b>Solar Panel Charger</b>	16 ampere PWM charger. Solar production (Ah) is logged
<b>Power consumption</b>	12 watts / tier

## Order Overview LED 350

### Option matrix

<b>LightGuard GSM</b>	Integrated GSM based monitoring with GSM antenna
<b>LightGuard GSM + GPS</b>	Integrated GSM based monitoring with GSM/GPS antennas
<b>GPS sync</b>	Integrated GPS sync only unit with GPS antenna in lantern top
<b>Optical Feedback System</b>	Integrated LED performance measurement
<b>External baffles</b>	External baffles when unit is supplied with colored sectors

### Product codes

LED-350 1 LAYER	LED-350 2 LAYER	LED-350 3 LAYER	LED-350 4 LAYER	LED-350 5 LAYER	LED-350 7 LAYER	Colour
980224	980228	980232	980243	980236	980278	white
980221	980225	980230	980240	980234	980275	red
980223	980227	980233	980242	980235	980277	green
980222	980226	980231	980241	980237	980276	yellow